

**NEW**

# Stainless and acid-resistant Ejector Pins

Type AH similar DIN ISO 6751 / DIN 1530

- » Excellent corrosion resistance
- » Optimal for aggressive synthetic materials
- » Dimensionally stable through additional heat treatment
- » Lower maintenance costs

**“NO MORE RUST AGAIN!”**



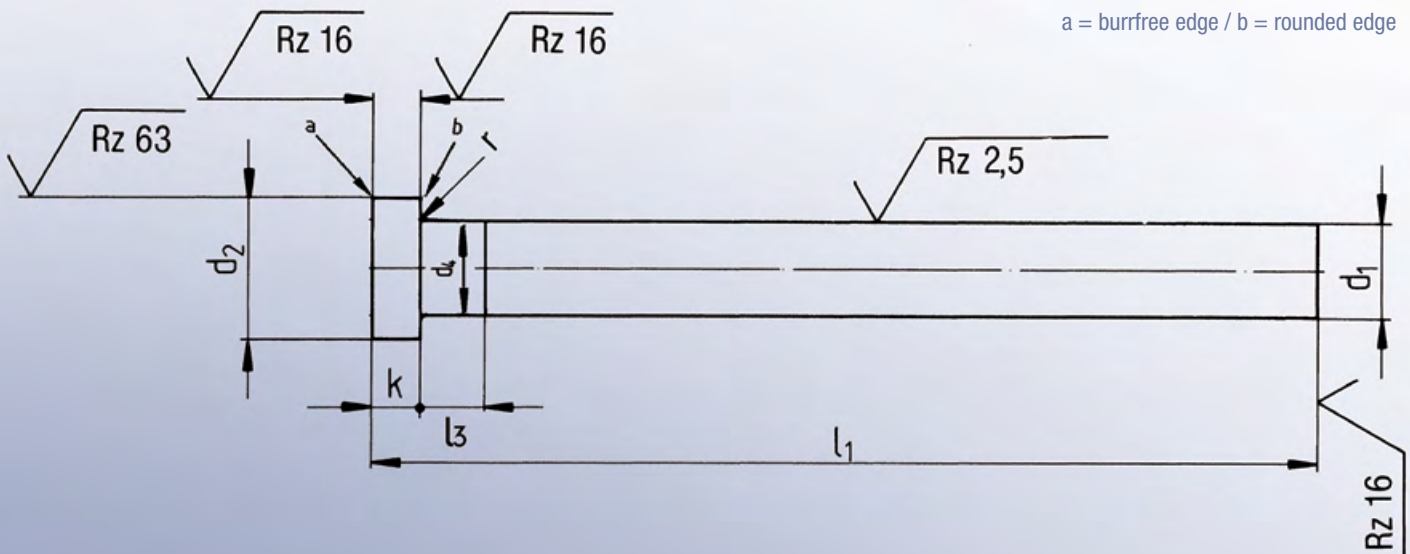
Increase your productivity with stainless and acid-resistant Ejector Pins from Eberhard!



**Eberhard**  
WERKZEUGTECHNOLOGIE

# Stainless and acid-resistant Ejector Pins

Type AH similar DIN ISO 6751 / DIN 1530



» Article no.: 612R.

» Version: shaft grinded, hardened,  
cylindrical head hot forged

» Material: 1.4112  
(stainless and acid-resistant steel)

» Hardness: Shaft: HRC 56 + 2  
Head: HRC 45 ± 5

d <sub>1</sub>	d <sub>2</sub>	k	r	l <sub>1</sub>				
				100	125	160	200	250
1	2,5	1,2	0,2	•	•			
2	4	2	0,2	•	•	•	•	
2,5	5	2	0,3	•	•	•	•	•
3	6	3	0,3	•	•	•	•	•
3,5	7	3	0,3	•	•	•	•	•
4	8	3	0,3	•	•	•	•	•
4,5	8	3	0,3	•	•	•	•	•
5	10	3	0,3	•	•	•	•	•
5,5	10	3	0,3	•	•	•	•	•
6	12	5	0,5	•	•	•	•	•
8	14	5	0,5	•	•	•	•	•
10	16	5	0,5	•	•	•	•	•
12	18	7	0,8	•	•	•	•	•

• Available on stock

When processing aggressive synthetic materials there often occurs a formation of acid gases. Those gases affect the tool as well as the Ejector Pins and cause corrosion.

Eberhard has the solution: Ejector Pins of stainless and acid-resistant material!



**Eberhard**  
WERKZEUGTECHNOLOGIE

